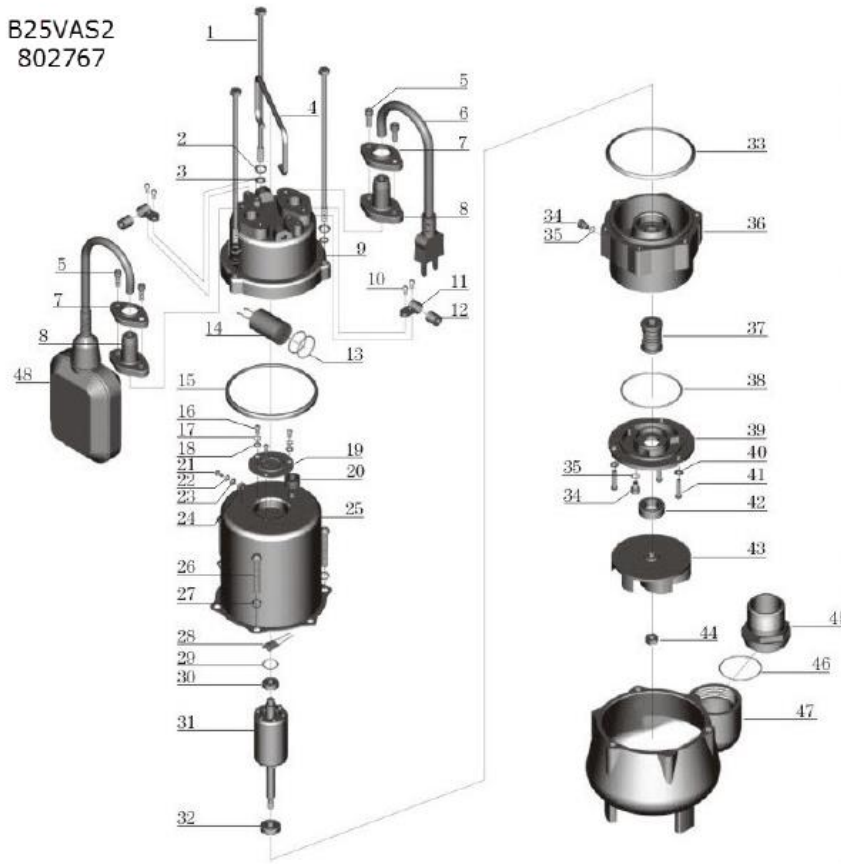


B25VAS2  
802767



NO.	DESCRIPTION	MATERIAL	NO.	DESCRIPTION	MATERIAL	
1.	Bolt	11	25.	Motor stator	11	
2.	Stretching washer	11	26.	Screw	11	
3.	Washer	11	27.	Stretching washer	11	
4.	Handle	11	28.	Thermal protector		
5.	Screw	11	29.	Undulated washer	1566	
6.	805706	Cable	30.	805724	Ball bearing	
7.	805708	Flange	31.		Rotor	
8.	805709	Cable protector	32.	805723	Ball bearing	
9.	Capacitor cover	No35B	33.	805722	Rubber washer	NBR
10.	Screw	11	34.		Screw	11
11.	Cable presser	11	35.		"O" ring	NBR
12.	Protector	NR	36.		Connection part	No35B
13.	"O" ring	NBR	37.	805718	Mechanical seal	Alumina/Graphite
14.	805731	Capacitor	38.		"O" ring	NBR
15.	805728	Rubber washer	39.		Oil chamber cover	No35B
16.	Screw	Fe360A	40.		Washer	11
17.	Stretching washer	1566	41.		Screw	11
18.	Washer	Fe360A	42.	805715	Oil seal	
19.	Press plate	Fe360A	43.	805713	Impeller	PA6630% Fiber
20.	Line protector	NBR	44.		Nut	11
21.	Screw	CuZn40	45.		Out-let connector	ABS
22.	Stretching washer	1566	46.		"O" ring	NBR
23.	Washer	CuZn40	47.		Pump body	No35B
24.	Nut	11	48.	805705	Float switch	